



# EZ Glaze™

Glass-like Corrugated Polycarbonate Sheet



## Overview

EZ Glaze™ smart layout simplifies installation and fastening, while providing high load capacity and durability.

The 3mm thick polycarbonate sheets fit directly over rafters without supporting purlins.

An attractive and user-friendly solution for clear patio roofs and DIY skylights.

Enjoy natural daylight and comfort with outstanding design and finish.

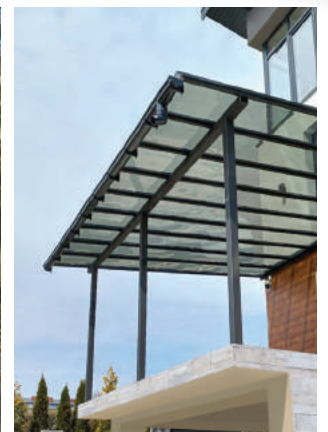
EZ Glaze offers easy, safe and fast installation, extra strength and hail-resistance, durability and UV protection.

## Main Benefits

- Lightweight & easy to install
- Fits directly over rafters
- Clear and elegant glass appearance
- Hail & Impact resistant
- UV Protection
- Minimal maintenance
- Extra durable
- High wind and snow load resistance
- No need to climb on the roof to install

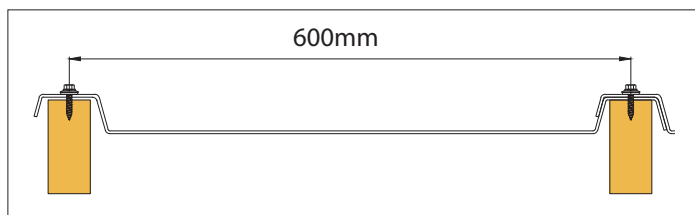
## Typical Applications

- Pergolas and gazebos
- Patio enclosures
- Sunrooms
- Carports



[www.palram.com](http://www.palram.com)

## Profile



## Product Availability

Thickness	3 mm
Cover Width	600 mm
Maximum Length	7,000 mm

## Color Range

Color	LT (%)	SC*	SHGC**
Clear	90	1.0	0.86
Grey	20	0.51	0.44
Breeze	70	0.61	0.53
Bronze	20	0.53	0.46
Solar Ice	20	0.4	0.35

\*Shading Coefficient

\*\*Solar Heat Gain (SHGC)

Additional colors are available under minimum quantities.

## Flammability

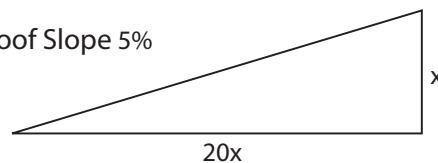
EZ Glaze™ complies with the most demanding international fire resistance standards in the field of plastic.

- European Standard: EN 13501 - B s1, d0

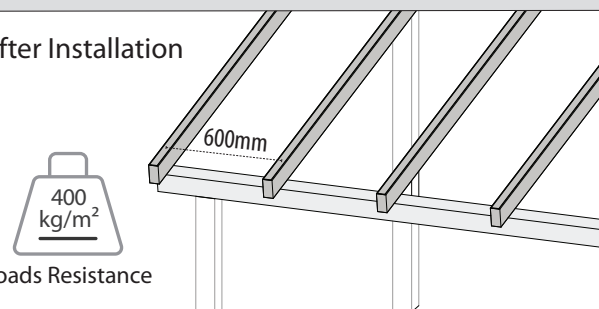


## Installation

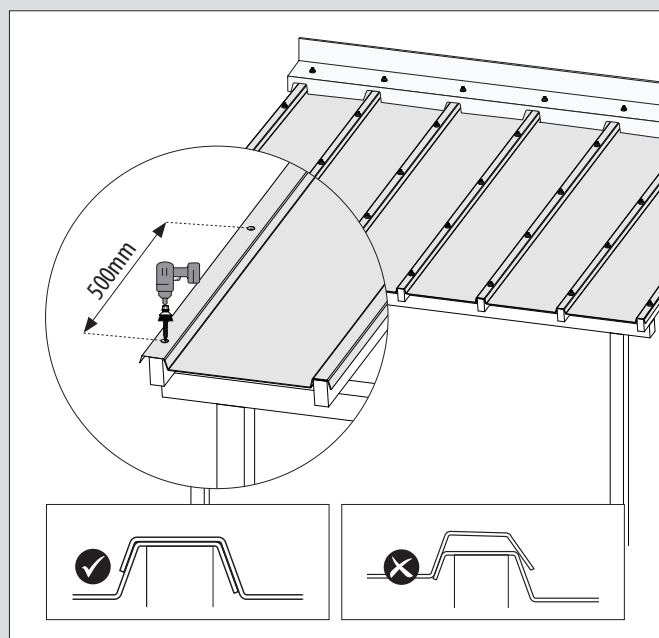
Minimum Roof Slope 5%



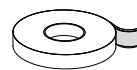
Rafter Installation



Loads Resistance



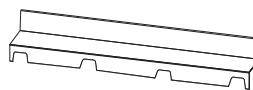
## Optional Accessories



Foam Tape



Butyl Tape



Head Wall Flashing



Self-Tapping screw  
6.5mm x 50mm  
with 25mm EPDM washer



**PALRAM EUROPE LTD.**  
Tel: +44 1302 380777  
Fax: +44 1302 380788  
sales.europe@palram.com



604345 - 11.2023

In as much as Palram Industries has no control over the use to which others may put the material, it does not guarantee that the same results as those described herein will be obtained. Each user of the material should make his own tests to determine the material's suitability for his own particular use. Statements concerning possible or suggested uses of the materials described herein are not to be construed as constituting a license under any Palram Industries patent covering such use or as recommendations for use of such materials in the infringement of any patent. Palram Industries or its distributors cannot be held responsible for any losses incurred through incorrect installation of the material. In accordance with our company policy of continual product development you are advised to check with your local Palram Industries supplier to ensure that you have obtained the most up to date information.

