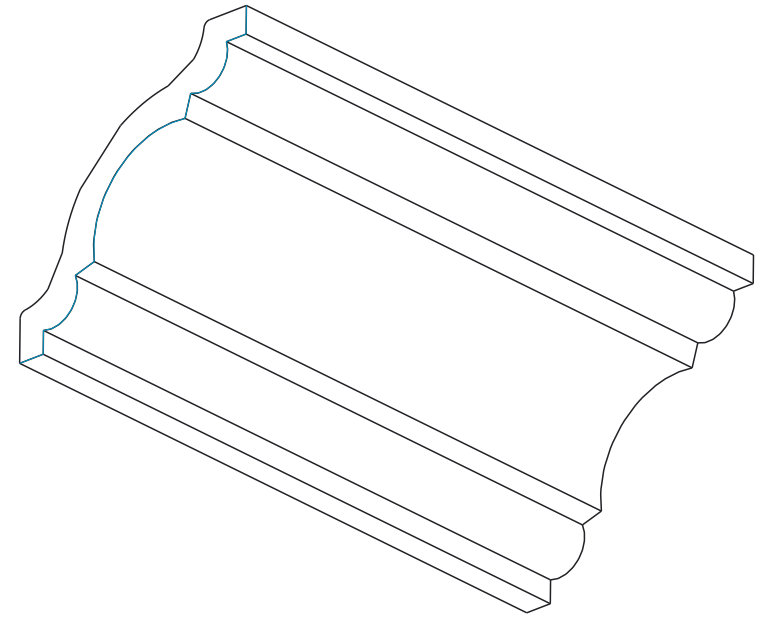
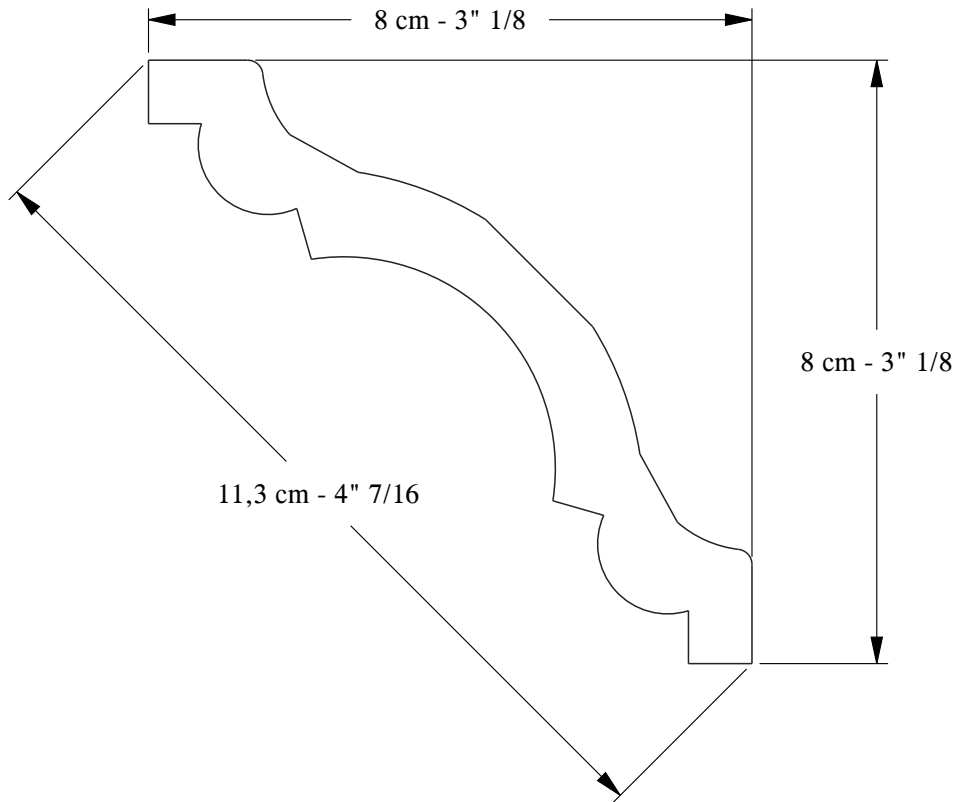


REV.	MODIFICATION	DATE	DRAWN BY	RELEASE DATE
-	-	-	-	-



SCALE 1:2

Density :	----	kg /dm <sup>3</sup>
Volume :	1,217	dm <sup>3</sup> /m
Weight :	----	kg /m
Paint surf :	13,981	dm <sup>2</sup> /m

<p><b>Orac n.v.</b> Biekorfstraat 32 8400 Oostende - Belgium Tel +32 (0)59 80 32 52 Fax +32 (0)59 80 28 10 www.oracdecor.com</p> <p>All information in this document is Orac's exclusive property. It may in no case be reproduced, even partly, be communicated to a third party or used for any possible purpose without Orac's express written permission.</p>	<p>ROHS PARTS MUST BE COMPLIANT TO ROHS REGULATIONS. IF ANY NOTIFICATION ON DRAWING IS IN CONTRADICTION WITH ROHS REGULATIONS, CONTACT ORAC BEFORE DELIVERY!</p>	<p>All dimensions are in mm unless otherwise specified</p>	<p>Normal tolerances according to:</p>	<p>Material: EXTRUSIE-LIJST</p>	<p>Printed on: 26-Sep-2013</p>
				<p>Format: A4 - Pro-Engineer Scale: 1:1 - Sheet: 1 of 1</p>	<p>Dens: ---- kg/dm<sup>3</sup></p> <p>Mass: ---- kg</p>
<p>Drawn by : D. Vandebuerie Drawn date: 12-Jun-2008</p>				<p>Description: <b>CX123</b></p>	
<p>European Projection</p>				<p>Drawing name: <b>CX123 PROD CM</b></p>	<p>Rev:</p>